

WELKEN®

BD-602A

1200L Tank-fed Emergency Eyewash and Shower Cabin

Standard: ANSI Z358.1-2014



We are insist to improve products structure and performance, without further notice if any change.

Product Concept

Emergency eyewash and shower units are designed to rinse contaminants from the user's eyes, face or body. As such, these units are forms of first aid equipment to be used in the event of an accident. However, they are not a substitute for primary protective devices (including eye and face protection and protective clothing) or for safety procedures when handling hazardous materials. BD-602A 1200L Tank-fed Emergency Eyewash and Shower Cabin is designed for hazardous or non-hazardous environments without water resource. The operation temperature is 0-35 °C, and can be customized with heater and insulation, which enable the cabin to be used outdoor.

Location

- In general, the ANSI standard requires that emergency equipment be installed within 10 seconds walking distance from the location of a hazard (approximately 55 feet).
- The equipment must be installed on the same level as the hazard (i.e. accessing the equipment should not require going up or down stairs or ramps).
- The path of travel from the hazard to the equipment should be free of obstructions and as direct as possible.
- The location of the emergency equipment must be marked with a highly visible sign.

Original Water

Drinking water or filtered water

Training

Simply installing emergency equipment is not sufficient means of ensuring worker safety. It is also very important that employees are trained in the location and proper use of emergency equipment. Research shows that after an incident has occurred, rinsing eyes within the first ten seconds is essential. Therefore, employees at the highest risk of damaging their eyes in each department must be trained regularly. All employees must know the location of the emergency equipment and be aware that quick and effective rinsing is important in an emergency.

Eye/face Wash

- The sooner the injured employee's eyes are rinsed, the lower the risk of damage. Every second is important when preventing permanent damage to save time for medical treatment.

- All employees must be reminded that this equipment is only to be used in emergencies, tampering with the equipment may cause a malfunction.

In emergencies, the afflicted may be unable to open their eyes. Employees may feel pain, anxiousness and loss. They may need others' help to reach the equipment and use it.

- Push the handle to spray the liquid.

- When liquid sprays, put the injured employee's left hand on the left nozzle, and the right hand on the right nozzle.

- Put the injured employee's head over the eye wash bowl which is hand controlled.

- When rinsing the eyes, use both hands' thumb and index finger to open the eyelids, rinsing for at least 15 minutes.

- After rinsing, seek medical treatment immediately

- Security and supervisory personnel must be notified that the equipment has been used.

Shower

- Use the pull rod to start the liquid flow.

- The injured should stand in the water flow once it has started.

- Ensure affected areas are in the water flow.

- Do not rinse by hand, to avoid further injury.

Note: If chemicals which react dangerously with water are present, an alternative harmless liquid will be provided. Special eye drops should also be used.

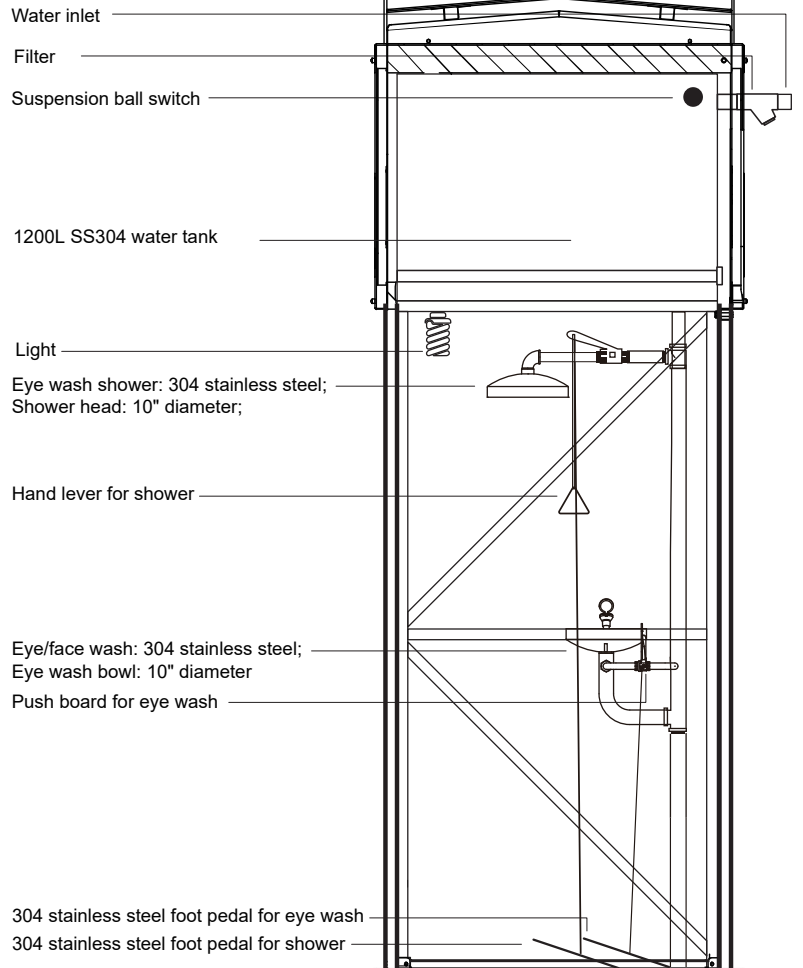
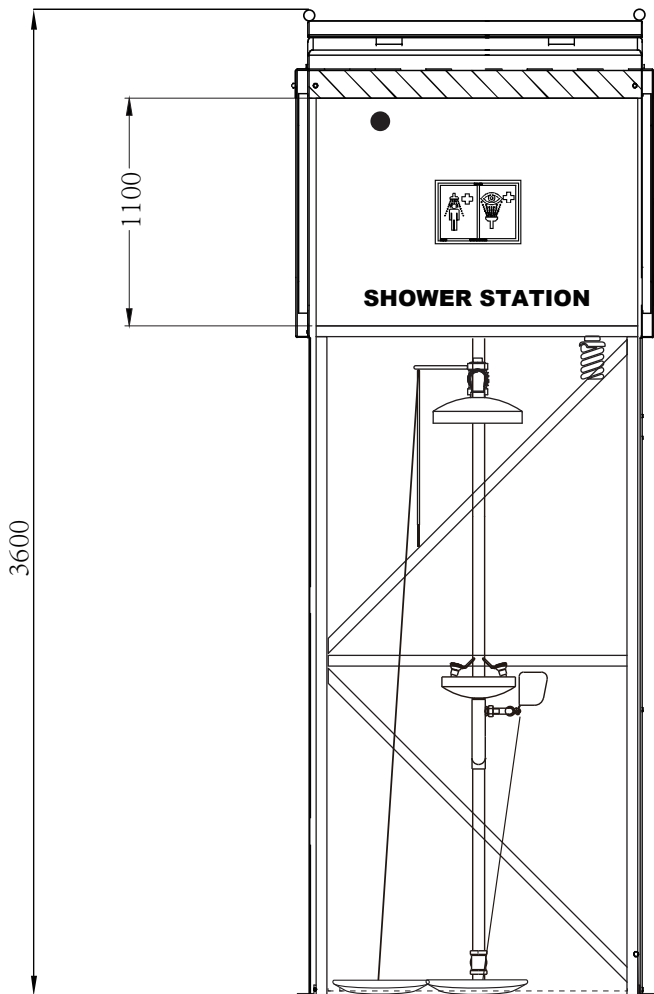
Material	
Tank	304 stainless steel(Options: HDPE and 316 stainless steel)
Eye wash shower	304 stainless steel
Eye/face wash	304 stainless steel
Cabin wall	40mm stainless steel structure without walls(Option: GRP, ss304 and ss316 panels)

Emergency shower and Eye/face wash	
Each cabin is equipped with a shower, which can be activated by the lever and pedal; Each cabin is equipped with an eye/face wash, which can be activated by the lever and pedal;	
Shower head and eye wash bowl	10" diameter
Shower flow	75.5l/min
Eye wash flow	11.4l/min
Water inlet	1 1/4" MNPT
Water outlet	1 1/4" FNPT
Hydraulic pressure	0.2mpa-0.6mpa
Door	No door(options: curtain, single or double door)

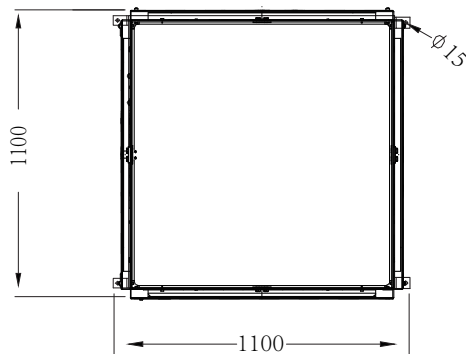
Parts
Water Filter
Grating Panel for water draining
Warning Sign
Options
Alarming system
Light
Visual lever indicator
Heater
Insulation

FRONT VIEW

SIDE VIEW



TOP VIEW



Eye Wash Maintenance Instructions

Maintenance Instructions

1. Check the eye wash device every day to ensure that the water is normal. If there is a problem, find the reason immediately and eliminate it in time.
2. Check the water release every three days, check whether the water is normal, whether there is water leakage, and the water supply pipe scales are discharged cleanly to ensure the safety and hygiene of the eye wash.
3. Check whether the eye wash parts are damaged, missing, and affect the use.
4. Regularly clean and wipe the outside of the main pipe of the eye wash or the protective shell of the electric heat tracing eye wash to avoid acid and alkaline substances to corrode the eye wash.

Fault Check

Serial Number	Fault Conditions	Methods
1	There is no water from the eye wash	(1) Check whether the water inlet is open. (2) Check whether the water inlet pipeline is frozen. (3) For the emptying type eye wash, check whether the drain valve of the eye wash is in the emptying state and whether the pedal linkage is effectively connected with the emptying system. (4) For electric heat tracing eye wash, check whether the power of the eye wash is in normal supply.
2	The water from the eye wash is too large	Set a pressure reducing valve at the water inlet
3	The water from the eye wash is too small	(1) Check if the eye wash nozzle is blocked. (2) Increase the pressure of the water source.
4	The eye wash is damaged	Contact the manufacturer or supplier to discuss repair methods or replace them directly.